

TX-1207SW10A-2860V36-02H90

PRODUCT SPECIFICATION

Features:

- ◆Excellent transiting heat from LED chip operating under 400mA.
- ◆Provide uniform cross distribution of positive white and warm white dual color scheme, mixed pure.
- ◆High luminous output.
- ◆No UV.
- ◆Encapsulated materials are environmentally certified and meet environmental requirements.

Chip Material:

- ◆GaInN

Emitting Color:

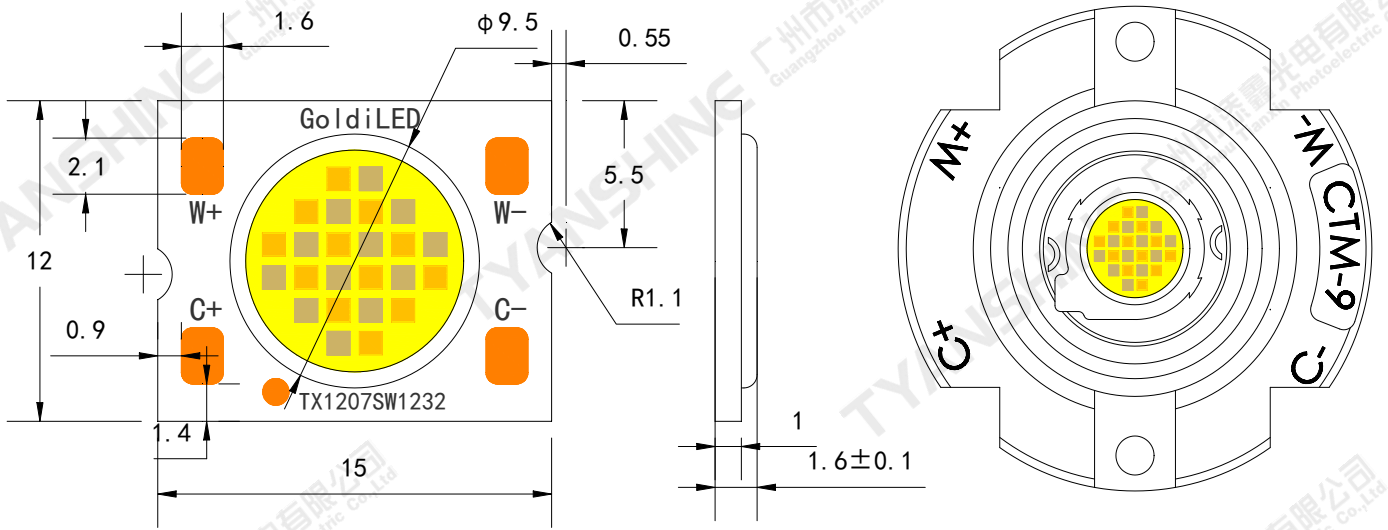
- ◆White
- ◆Warm white

Applications:

- ◆Commercial lighting
- ◆General Lighting

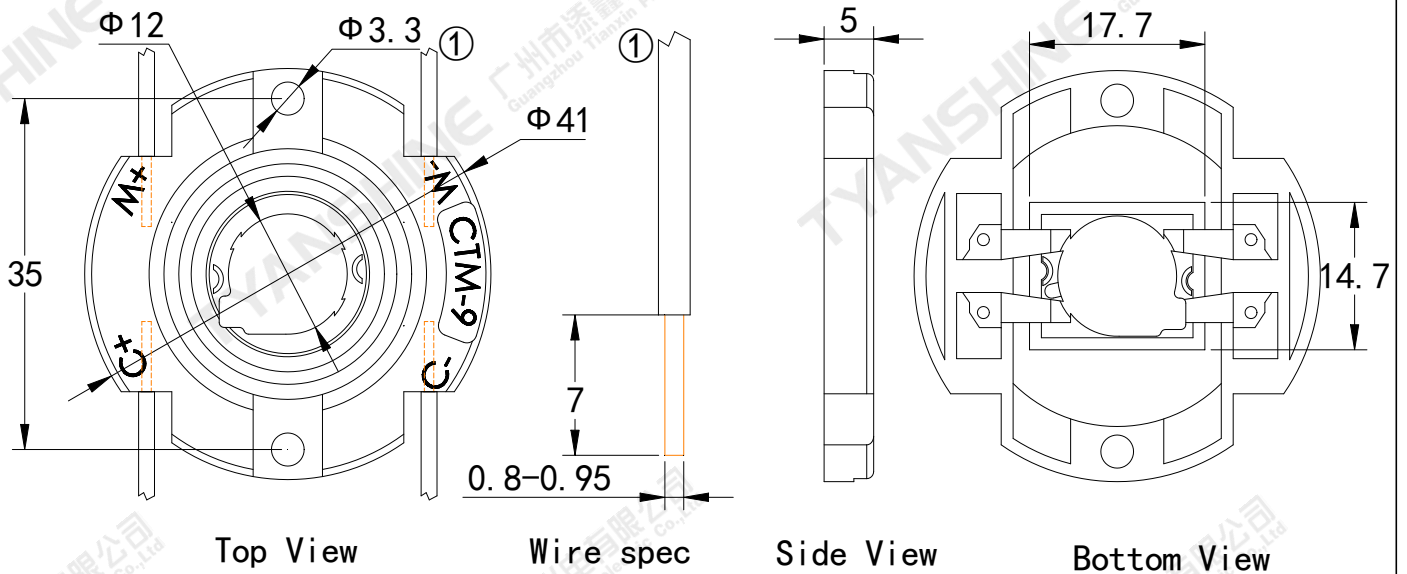
Part No.	TX-1207SW10A-2860V36-02H90	Spec No.	WKF-BF0367	Page	1 of 10
----------	----------------------------	----------	------------	------	---------

Package Dimensions:



W: Warm white C: White

Solderless holder:



Notes:

- 1.All dimensions are in millimeters .
- 2.Tolerances unless otherwise mentioned are $\pm 0.25\text{mm}$

Part No.	TX-1207SW10A-2860V36-02H90	Spec No.	WKF-BF0367	Page	2 of 10
----------	----------------------------	----------	------------	------	---------

Code Formats:

TX-1207SW10A-2860V36-02H90

TX	—	12	07	SW	10	A	—	2860	V36	—	02	H90
TYANSHINE	—	series	watt typ	performance	LES	texture	—	CCT	VOLTs	—	BOM	Ra

Absolute Maximum Ratings

Parameter	Symbol	Ratings	Unit
Forward Current	IF	400	mA
Reverse Voltage	VR	Not designed for reverse operation	V
Power Dissipation	PD	W	W
		S	
Junction Temperature	Tj	W	°C
		S	
Case Temperature (C)	Tc	85	°C
Electrostatic Discharge Threshold (ESD)	ESD	2000	V
Storage Temperature	Tstg	-30~+100	°C
Operation Temperature	Topr	-30~+80	

Notes:

- Specifications are subject to change without notice.
- The data on this specification is for reference only and the actual data is in accordance with the acknowledgment.
- Precautions for ESD:
STATIC SHIELD Electricity and surge damages the LED. It is recommended to use a wrist band or anti-electrostatic glove when handling the LED. All devices, equipment and machinery must be properly grounded.

Part No.	TX-1207SW10A-2860V36-02H90	Spec No.	WKF-BF0367	Page	3 of 10
----------	----------------------------	----------	------------	------	---------

Electrical Optical Characteristics (Tc=25°C)

Parameter	Symbol	Condition	Emitting color	Min.	Typ.	Max.	Units
Luminous Flux	ϕ_v	If=200mA	S	—	670	—	lm
			W	—	810	—	
Forward Voltage	V_f		S	32	34	36	V
			W	32	34	36	
Correlated Colour Temperature	CCT		S	—	2800	—	K
			W	—	6000	—	
Viewing Angle at 50% IV	$2\theta_{1/2}$		S	—	115	—	Deg
			W	—	115	—	
Reverse Current	I_R		—	—	—	—	μA
Thermal Resistance Junction to Case	$R\theta_{J-C}$		If=200mA	S	—	0.4	—
		W		—	0.4	—	
Temperature Coefficient of Voltage	$V\Delta F/T$	S		—	-13	—	mV/°C
		W		—	-13	—	
Color Rendering Index	Ra	S		—	90	—	—
		W		—	90	—	

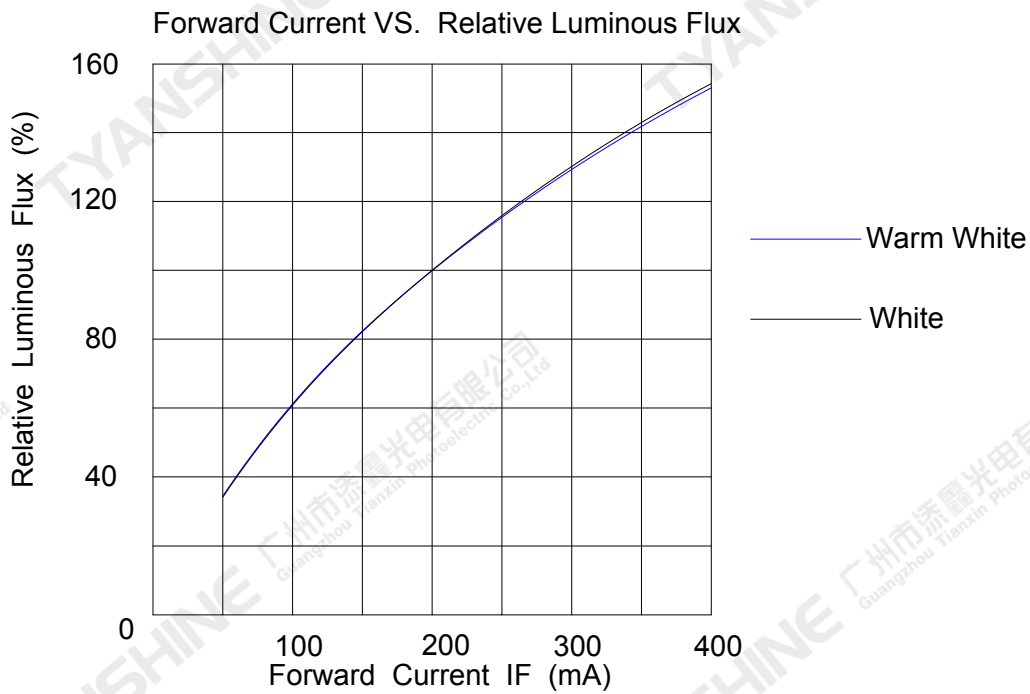
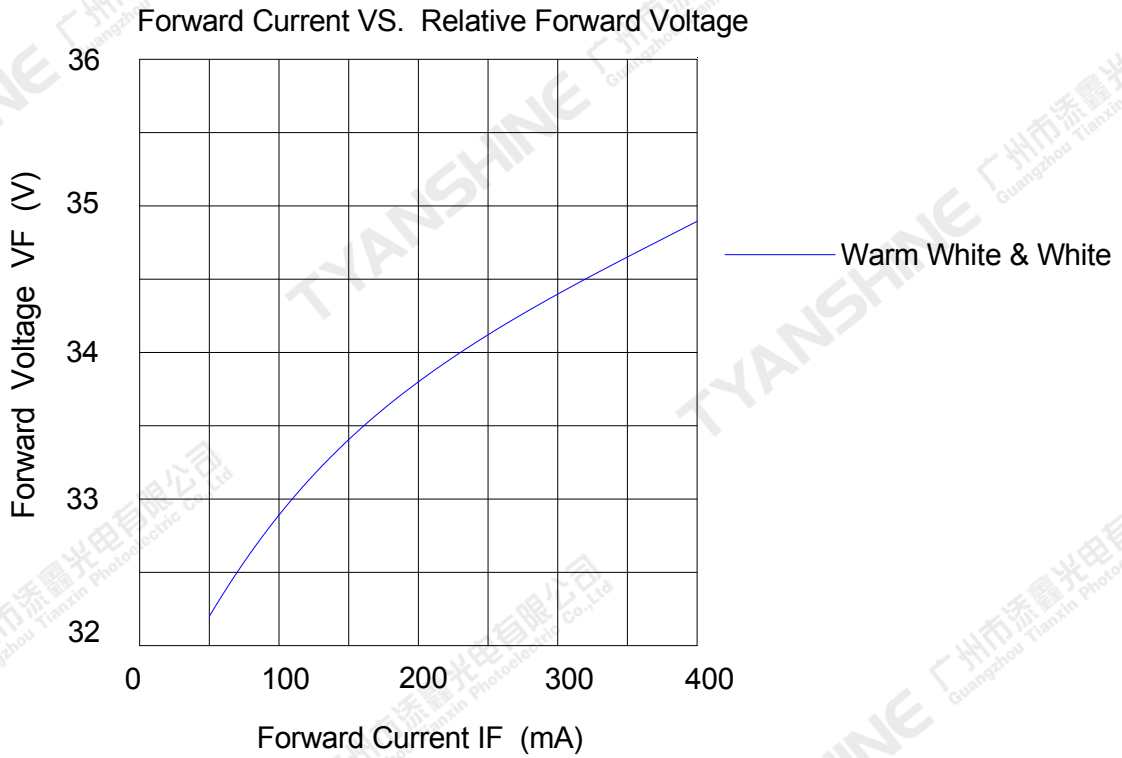
Notes:

- 1.Luminous intensity is measured with a light sensor and filter combination that approximates the CIE eye-response curve.
2. $\theta_{1/2}$ is the off-axis angle at which the luminous intensity is half the axial luminous intensity.
- 3.Luminous flux measurement tolerance: $\pm 15\%$.
- 4.Forward voltage measurement tolerance: $\pm 3\%$.
- 5.Ra measurement tolerance: ± 2 .

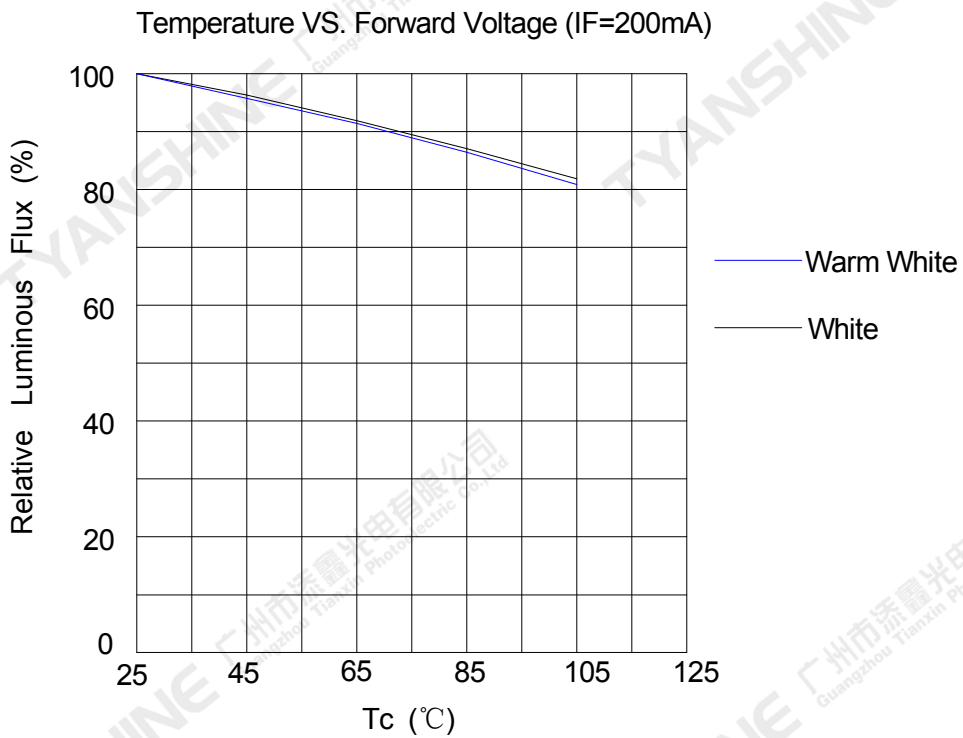
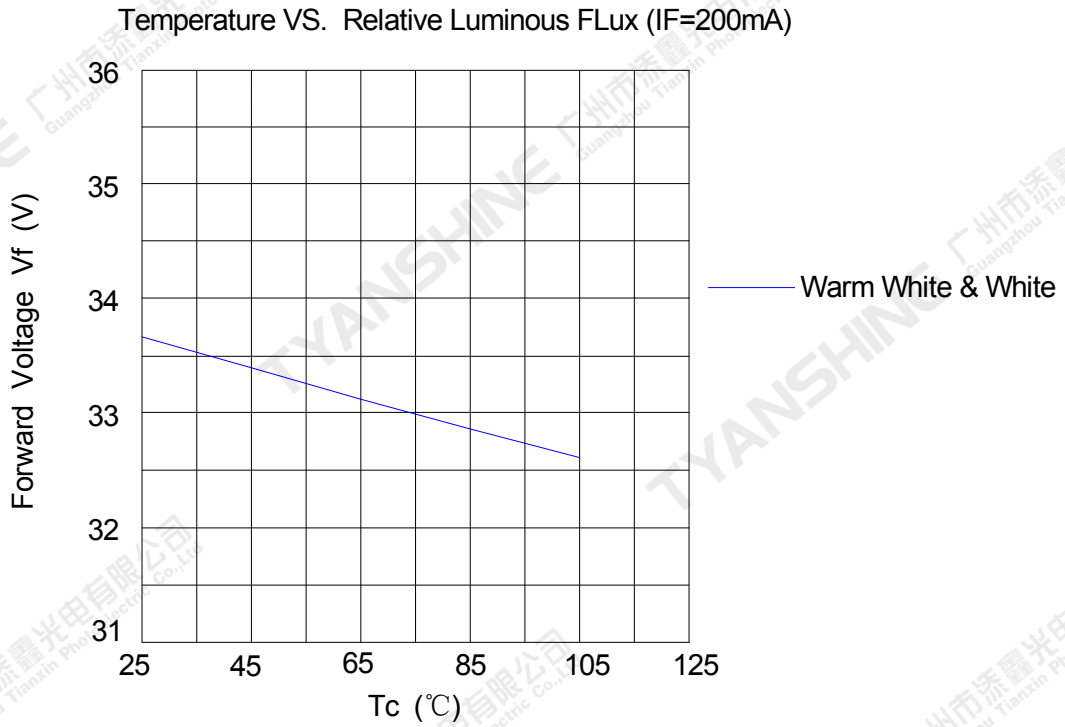
Part No.	TX-1207SW10A-2860V36-02H90	Spec No.	WKF-BF0367	Page	4 of 10
----------	----------------------------	----------	------------	------	---------

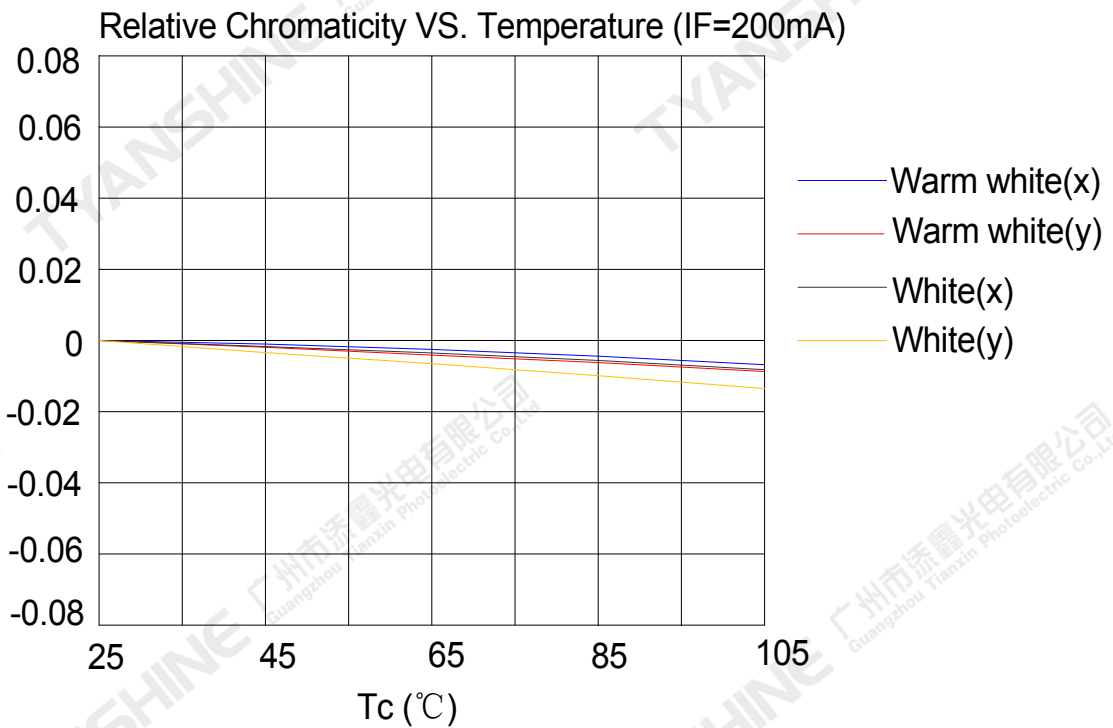
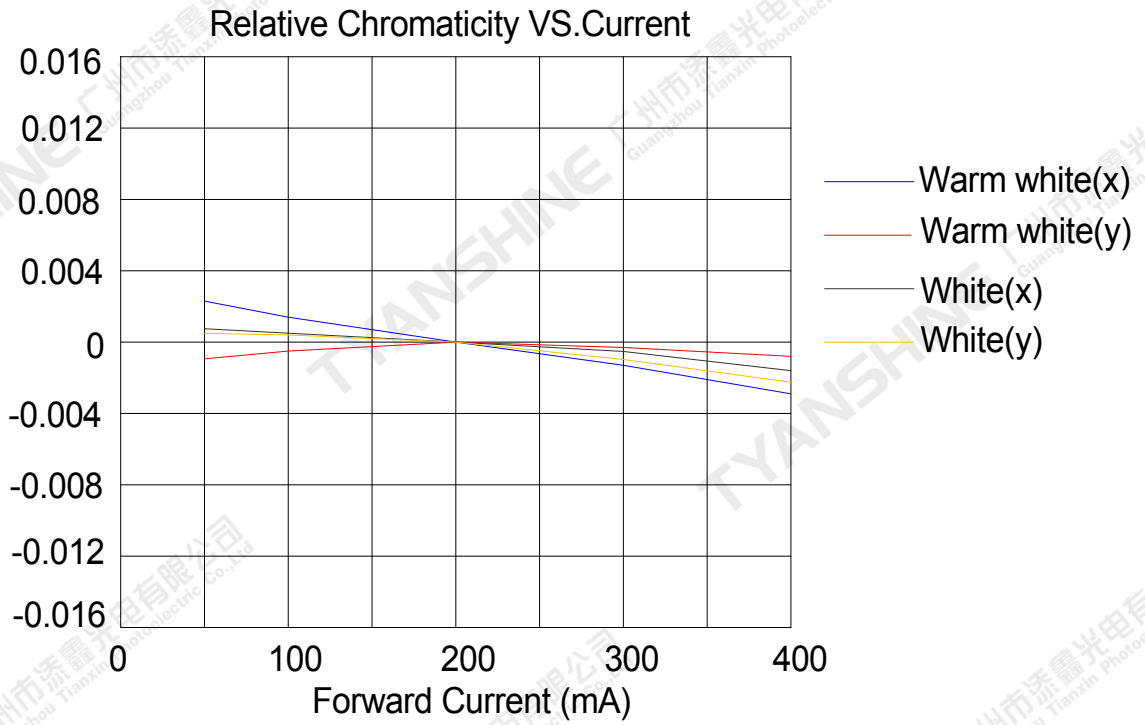
Typical Electrical/Optical Characteristics Curves

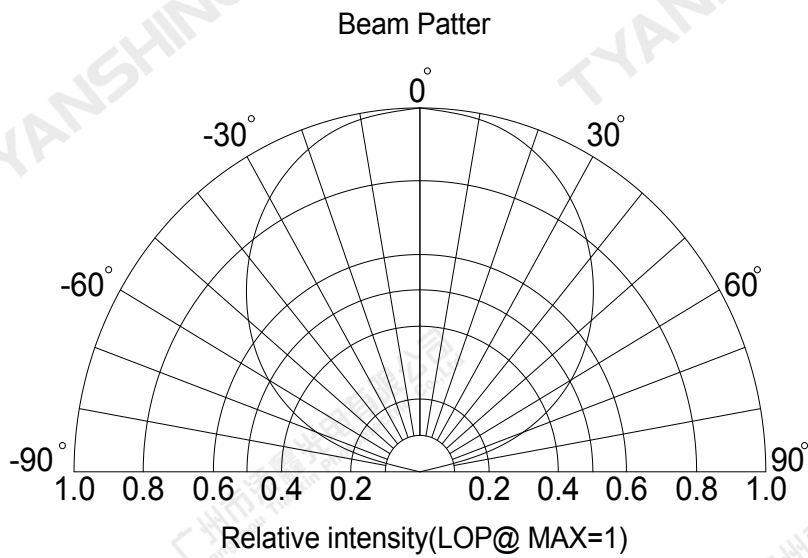
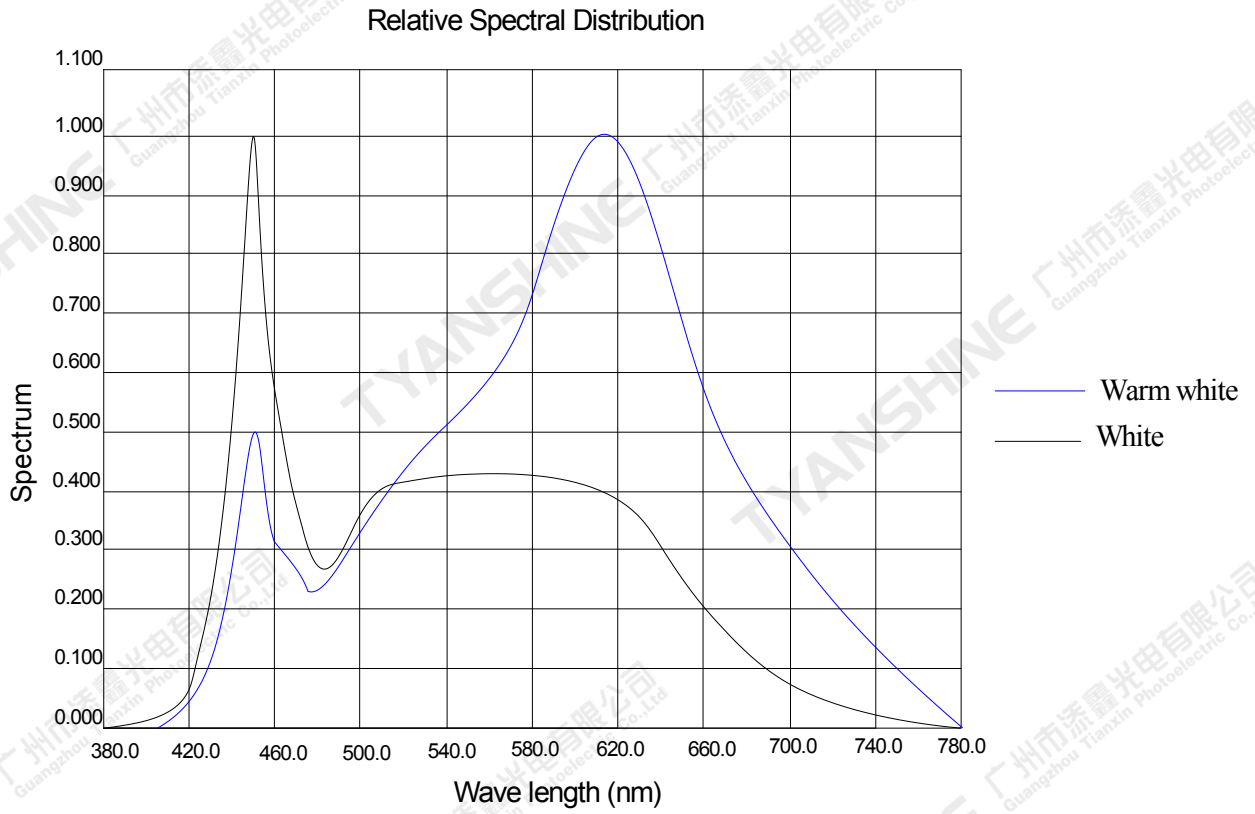
(25°C Ambient Temperature Unless Otherwise Noted)



Part No.	TX-1207SW10A-2860V36-02H90	Spec No.	WKF-BF0367	Page	5 of 10
----------	----------------------------	----------	------------	------	---------





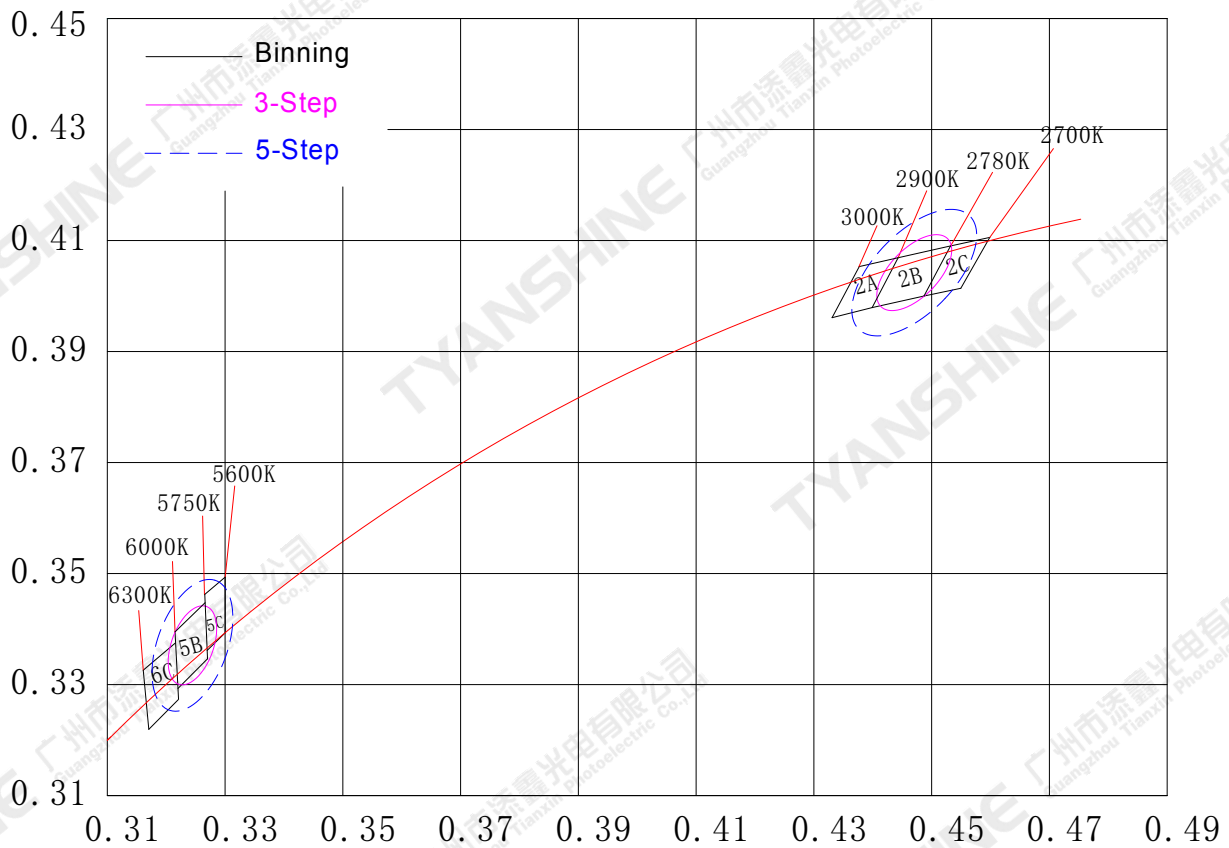


Notes:

1. $2\theta_{1/2}$ is the off axis angle from lamp centerline where the luminous intensity is 1/2 of the peak value.
2. View angle tolerance is $\pm 5^\circ$.

Part No.	TX-1207SW10A-2860V36-02H90	Spec No.	WKF-BF0367	Page	8 of 10
----------	----------------------------	----------	------------	------	---------

Chromaticity Coordinates (Condition : IF=200mA , Tc=25°C)



Notes:

1.chromaticity (x, y) measurements tolerance: ± 0.005 .

Part No.	TX-1207SW10A-2860V36-02H90	Spec No.	WKF-BF0367	Page	9 of 10
----------	----------------------------	----------	------------	------	---------

GoldiLED COB Series:



Serial Number	Part Number	Picture	Beam Angle	Lamp Hole	Array's model	Measurments
1	2094-TX		8°	Ø22.5	TX1207	
2	2095-TX		18°	Ø22.5	TX1207	
3	2096-TX		54°	Ø22.5	TX1207	
4	3150-TX		16°	Ø22.5	TX2020	
5	3205-TX		33°	Ø22.5	TX2020	
6	3208-TX		44°	Ø22.5	TX2020	
7	4219-TX		17°	Ø22.5	TX2020	
8	4220-TX		31°	Ø22.5	TX2020	
9	4221-TX		40°	Ø22.5	TX2020	
10	4201-TX		14°	Ø29.0	TX2832	
11	4301-TX		30°	Ø29.0	TX2832	
12	4401-TX		41°	Ø29.0	TX2832	