

TX-3535RGB3FC120-OGVCND34-01

PRODUCT SPECIFICATION

Features:

- ◆Excellent transiting heat from LED chip operating under 350mA
- ◆High luminous output
- ◆No UV

Chip Material:

- ◆Red: AlGaInP
- ◆Green: GaN
- ◆Blue:GaN

Emitting Color:

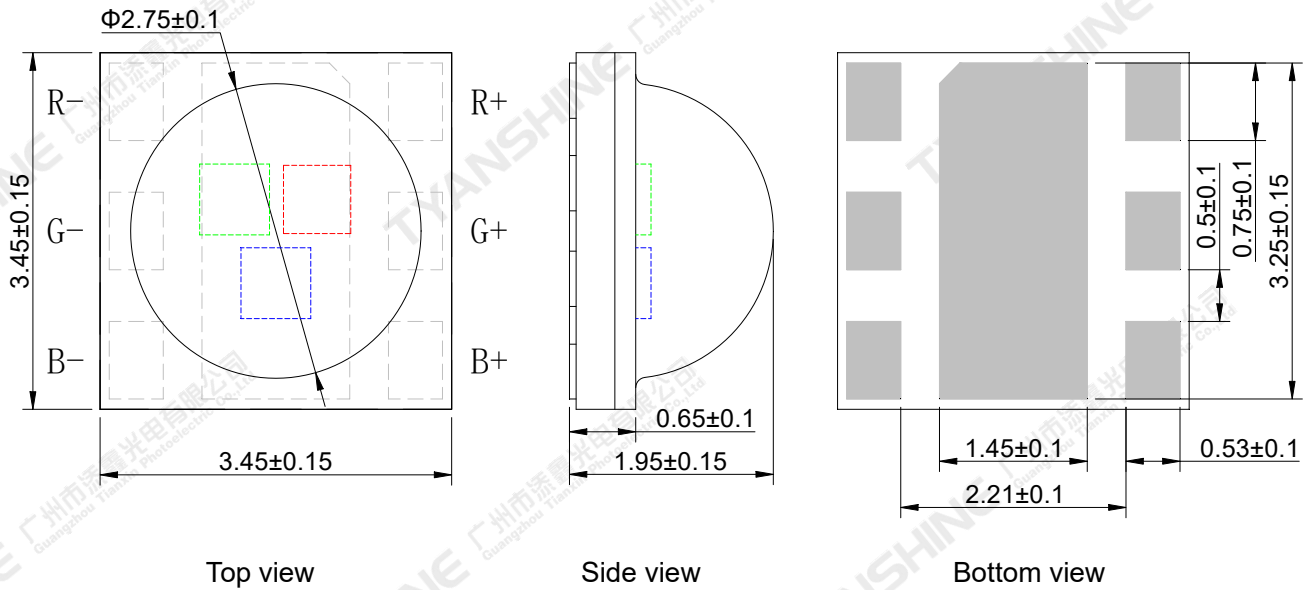
- ◆Red (R)
- ◆Green (G)
- ◆Blue (B)

Applications:

- ◆Stage lighting
- ◆Garden lighting
- ◆Landscape Lighting

Part No.	TX-3535RGB3FC120-OGVCND34-01	Spec No.	WKF-ED0040	Page	1 of 8
----------	------------------------------	----------	------------	------	--------

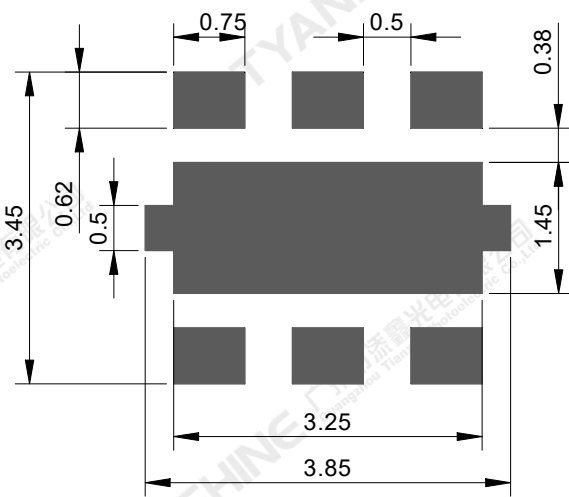
Package Dimensions:



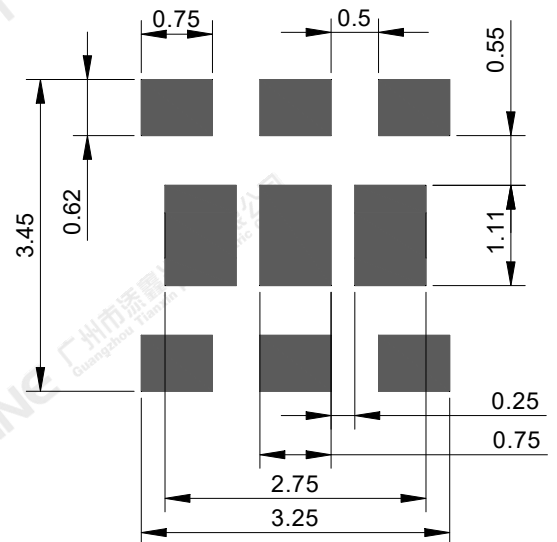
Top view

Side view

Bottom view



Recommended solder pad



Recommended stencil pattern

Notes:

1. All dimensions are in millimeters .
2. Tolerances unless otherwise mentioned are ± 0.1 mm .

Part No.	TX-3535RGB3FC120-OGVCND34-01	Spec No.	WKF-ED0040	Page	2 of 8
----------	------------------------------	----------	------------	------	--------

Absolute Maximum Ratings (Tc=25°C)

Parameter	Symbol	Max Ratings	Unit
Forward Current	IF	350	mA
Reverse Voltage	VR	7	V
Power Dissipation	PD	R	780
		G	1100
		B	1100
Junction Temperature	Tj	R	115
		G	150
		B	150
Electrostatic Discharge Threshold (ESD)	ESD	2000	V
Storage Temperature	Tstg	-40~70	°C
Operation Temperature	Topr	-30~85	

Notes:

- 1.Specifications are subject to change without notice.
- 2.The data on this specification is for reference only and the actual data is in accordance with the acknowledgment.
- 3.Precautions for ESD:
STATIC SHIELD Electricity and surge damages the LED. It is recommended to use a wrist band or anti-electrostatic glove when handling the LED. All devices, equipment and machinery must be properly grounded.

Electrical Optical Characteristics (Tc=25°C,IF=300mA)

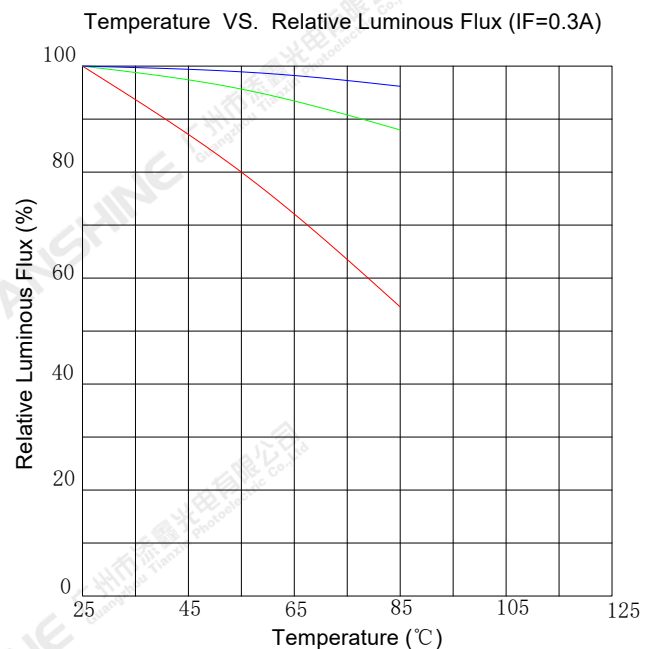
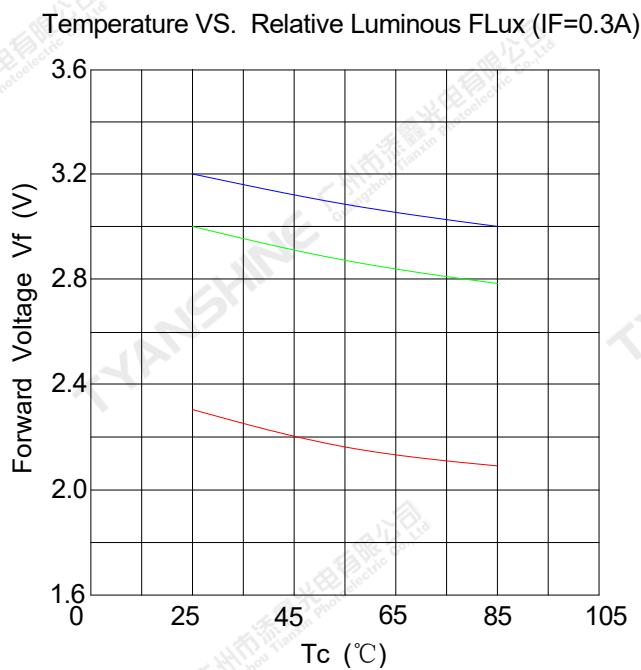
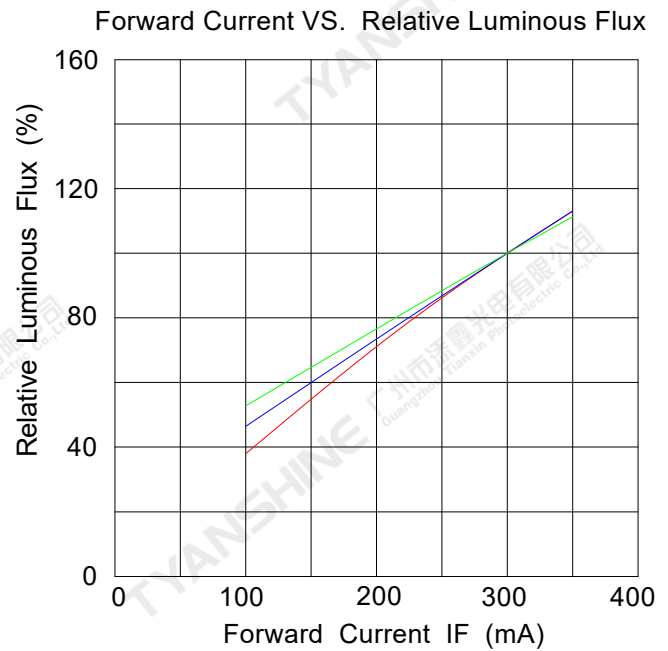
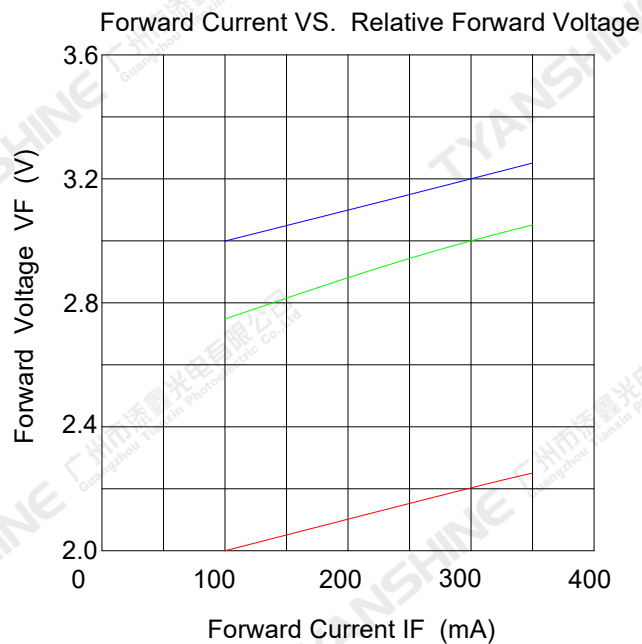
Parameter	Symbol	Emitting Color	Min.	Typ.	Max.	Units
Luminous Flux	ϕ_v	R	40	50	60	lm
		G	60	75	85	
		B	10	16	22	
Dominant Wavelength	λ_d	R	620	623	626	nm
		G	525	531	535	
		B	455	466	468	
Peak-emission Wavelength	λ_p	R	630	633	636	nm
		G	519	525	529	
		B	450	461	463	
Spectral Line Half-Width	$\Delta\lambda$	R	14	16	18	nm
		G	30	35	40	
		B	18	21	24	
Forward Voltage	V_f	R	1.9	2.2	2.6	V
		G	2.8	3.0	3.5	
		B	2.9	3.2	3.6	
Reverse Current	I_R	$V_R=7V$	—	—	5	μA
Viewing Angle at 50% IV	$2\theta_{1/2}$	—	—	120	—	Deg
Thermal Resistance Junction to Case	$R\theta_{J-C}$	R	—	14	—	K/W
		G	—	22	—	
		B	—	22	—	
		Total thermal resistance	—	10.5	—	
Temperature Coefficient of Voltage	$V\Delta F/T$	R	—	-5.4	—	mV/°C
		G	—	-2.9	—	
		B	—	-1.5	—	

Notes:

- 1.Luminous intensity is measured with a light sensor and filter combination that approximates the CIE eye-response curve.
2. $\theta_{1/2}$ is the off-axis angle at which the luminous intensity is half the axial luminous intensity.
- 3.Luminous flux measurement tolerance:±10%.
- 4.Forward voltage measurement tolerance:±0.3V.
- 5.Ra measurement tolerance:±2.

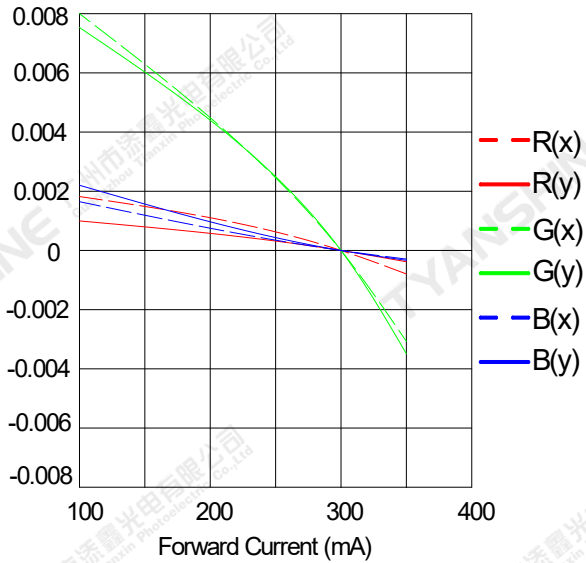
Typical Electrical/Optical Characteristics Curves

(25°C Ambient Temperature Unless Otherwise Noted)

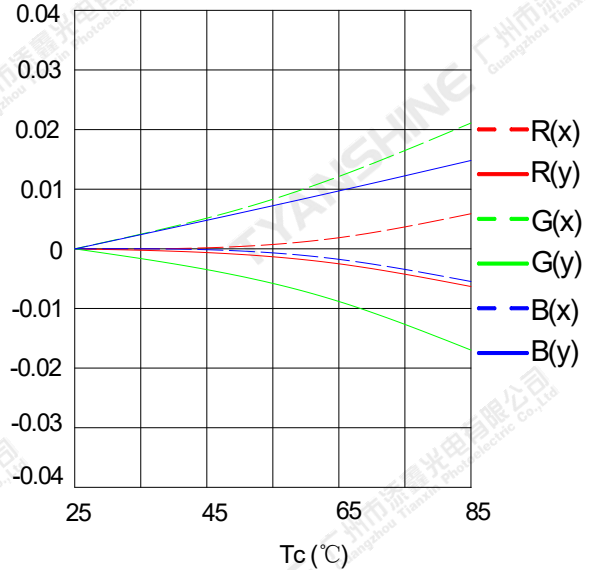


Notes: — Red (R) ; — Green (G) ; — Blue (B) ;

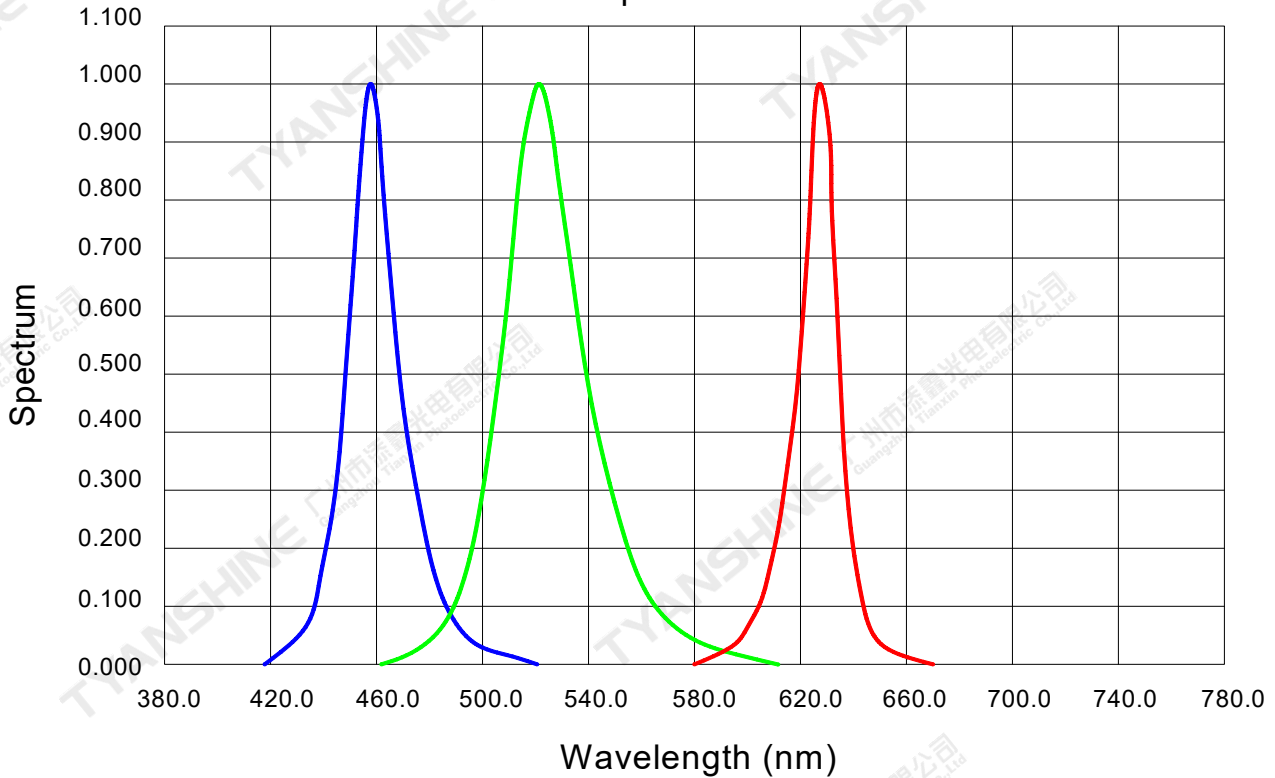
Relative Chromaticity VS. Current



Relative Chromaticity VS. Temperature (IF=0.3A)



Relative Spectral Distribution



Notes: ■ Red (R) ; ■ Green (G) ; ■ Blue (B) ;

Notes:

1. $2\theta_{1/2}$ is the off axis angle from lamp centerline where the luminous intensity is 1/2 of the peak value.
2. View angle tolerance is $\pm 5^\circ$.

Part No.	TX-3535RGB3FC120-OGVCND34-01	Spec No.	WKF-ED0040	Page	6 of 8
----------	------------------------------	----------	------------	------	--------

Usage Precautions

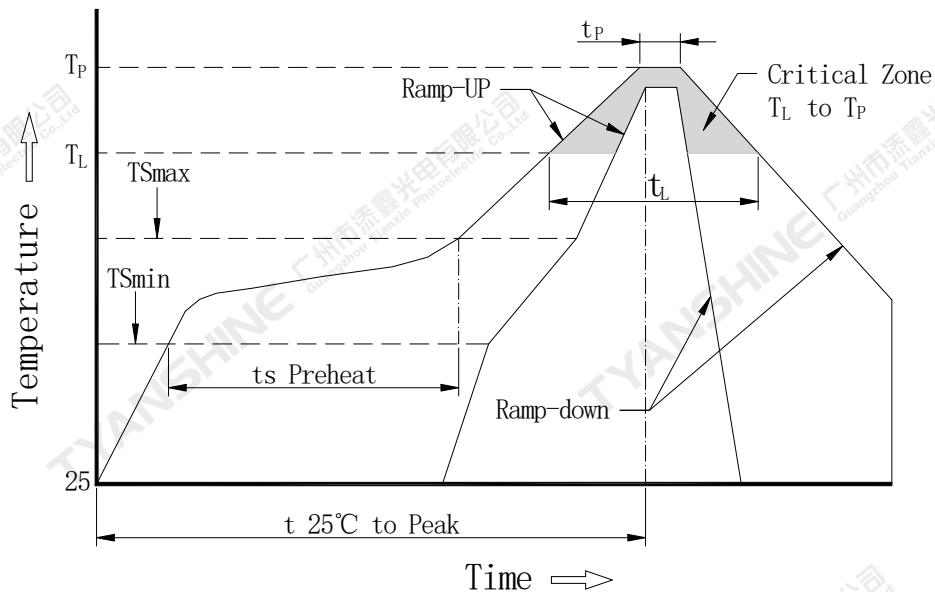
Storage Environment Condition

Temperature: 5°C ~ 30°C (41°F ~ 86°F)

Humidity: 60% RH Max.

Soldering Condition

Use the conditions shown to the under figure.



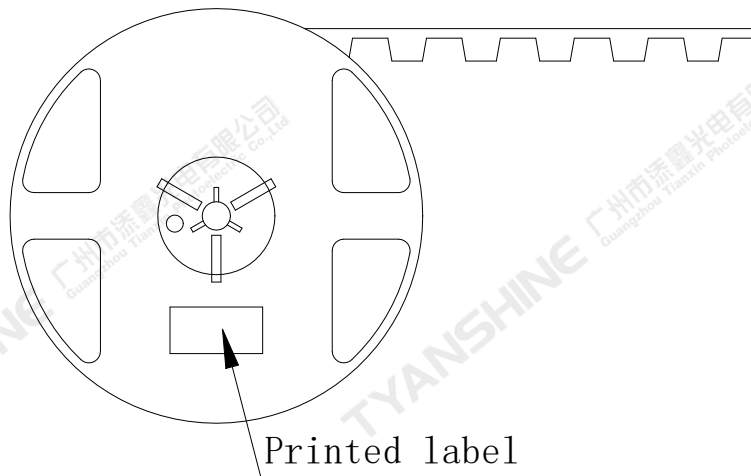
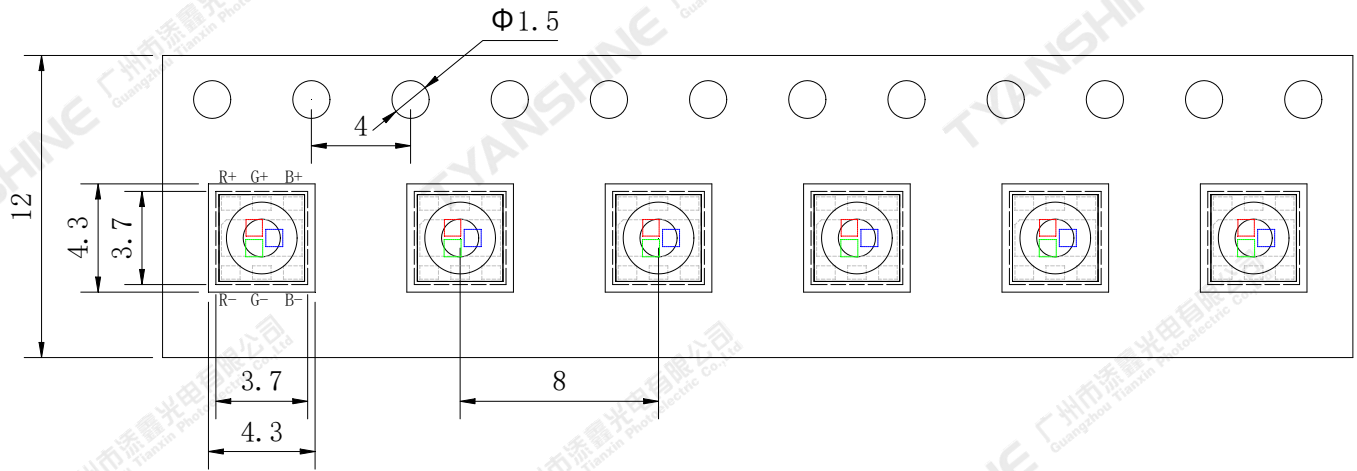
Profile Feature	Pb-Free Solderr(SnBi35Ag0.3)
Average Ramp-Up Rate (TSmax to TP)	3°C/second max.
Preheat: Temperature Min (TSmin)	130°C
Preheat: Temperature Max (TSmax)	190°C
Preheat: Time (TSmin to TSmax)	120-180 seconds
Time Maintained Above: Temperature (TL)	230°C
Time Maintained Above: Time (TL)	60-150 seconds
Peak/Classification Temperature (TP)	255°C
Time Within 5°C of Actual Peak Temperature (TP)	10-35 seconds
Ramp-Down Rate	5°C/second max.
Time 25°C to Peak Temperature	7 minutes max.

Note:

All temperatures refer to topside of the package, measured on the package body surface.

Dimensions For Cannulation And Packaging

Quantity: 1000PCS



Notes:

1. All dimensions are in millimeters.
2. Tolerances are ± 2.0 mm unless otherwise noted.
3. The products are packaged together with silica gel, Transport, not to the weight of welding LED light-emitting area, As a result of the weight of LED light-emitting zone in the quality of, Irresponsible of the Company.

Part No.	TX-3535RGB3FC120-OGVCND34-01	Spec No.	WKF-ED0040	Page	8 of 8
----------	------------------------------	----------	------------	------	--------