

TX-5050W20FC100-NUVCNG-B01

PRODUCT SPECIFICATION

Features:

- ◆ Excellent transiting heat from LED chip operating under 1.0A.
- ◆ High luminous output.
- ◆ No UV.
- ◆ Encapsulated materials are environmentally certified and meet environmental requirements.

Chip Material:

- ◆ ThinGaN

Emitting Color:

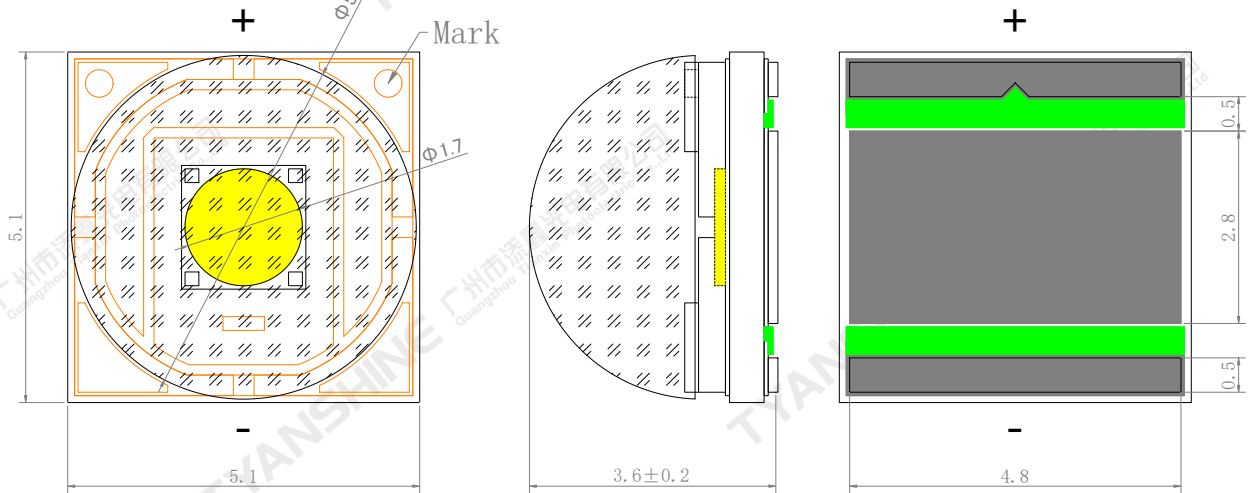
- ◆ White (W)

Applications:

- ◆ Auxiliary lighting
- ◆ Ambient lighting
- ◆ Architectural lighting

Part No.	TX-5050W20FC100-NUVCNG-B01	Spec No.	WKF-FC0081	Page	1 of 10
----------	----------------------------	----------	------------	------	---------

Package Dimensions:



Notes:

1. All dimensions are in millimeters .
2. Tolerances unless otherwise mentioned are ± 0.1 mm .

Part No.	TX-5050W20FC100-NUVCNG-B01	Spec No.	WKF-FC0081	Page	2 of 10
----------	----------------------------	----------	------------	------	---------

Absolute Maximum Ratings (Tc=25°C)

Parameter	Symbol	Ratings	Unit
Forward Current	IF	5.5	A
Reverse Voltage	VR	Not designed for reverse operation	V
Power Dissipation	PD	24	W
Junction Temperature	Tj	150	°C
Electrostatic Discharge Threshold (ESD)	ESD	2000	V
Storage Temperature(Only for LED, not including packaging)	Tstg	-40~+85	°C
Operation Temperature	Topr	-40~+85	

Notes:

- Specifications are subject to change without notice.
- The data on this specification is for reference only and the actual data is in accordance with the acknowledgment.
- Precautions for ESD:
STATIC SHIELD Electricity and surge damages the LED. It is recommended to use a wrist band or anti-electrostatic glove when handling the LED. All devices, equipment and machinery must be properly grounded.

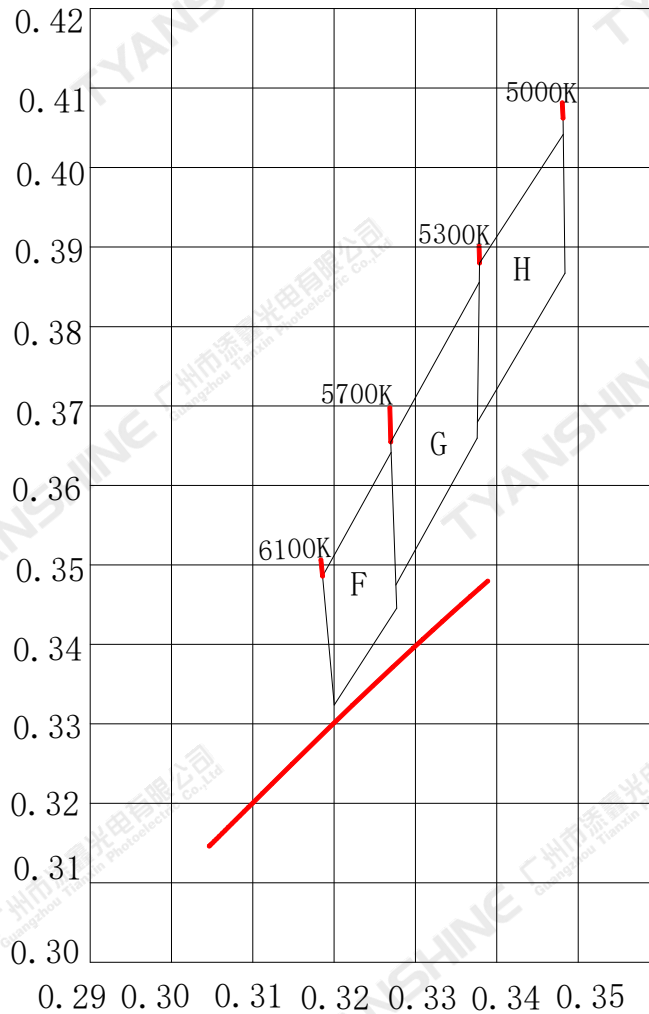
Electrical Optical Characteristics (Tc=25°C)

Parameter	Symbol	Condition	Emitting color	Min.	Typ.	Max.	Units
Luminous Flux	Φ_v	If=1.0A	W	390	440	490	lm
		If=5.5A	W	1240	1400	1560	
Forward Voltage	V_f	If=1.0A	W	2.8	—	3.6	V
		If=5.5A	W	3.8	—	4.5	
Viewing Angle at 50% IV	$2\theta_{1/2}$	—	W	—	100	—	Deg
Correlated Colour Temperature	CCT	If=1.0A	W	5000	—	6100	K
		If=5.5A	W	5400	—	6600	
Reverse Current	I_R	—	W	—	—	—	μA
Temperature Coefficient of Voltage	$V\Delta F/T$	If=1.0A	W	—	-6.65	—	mV/°C
		If=5.5A	W	—	-6.23	—	

Notes:

- Luminous intensity is measured with a light sensor and filter combination that approximates the CIE eye-response curve.
- $\theta_{1/2}$ is the off-axis angle at which the luminous intensity is half the axial luminous intensity.
- Luminous flux measurement tolerance: $\pm 15\%$.
- Forward voltage measurement tolerance: $\pm 0.15V$.

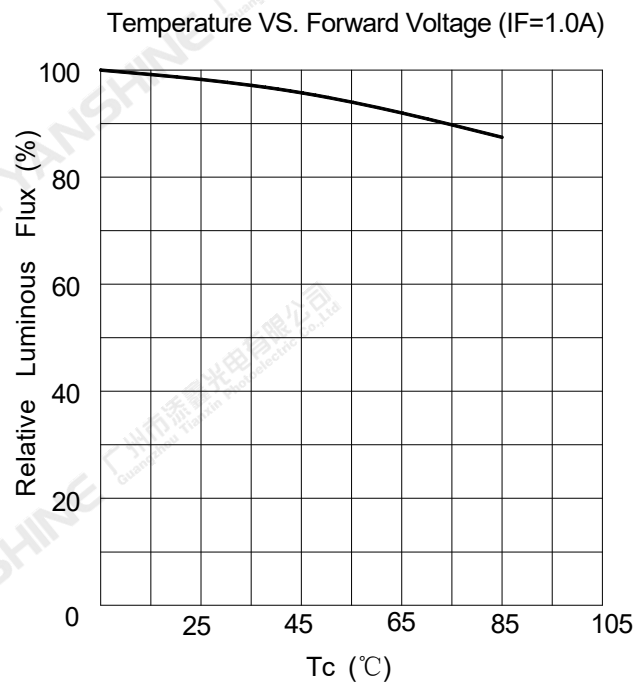
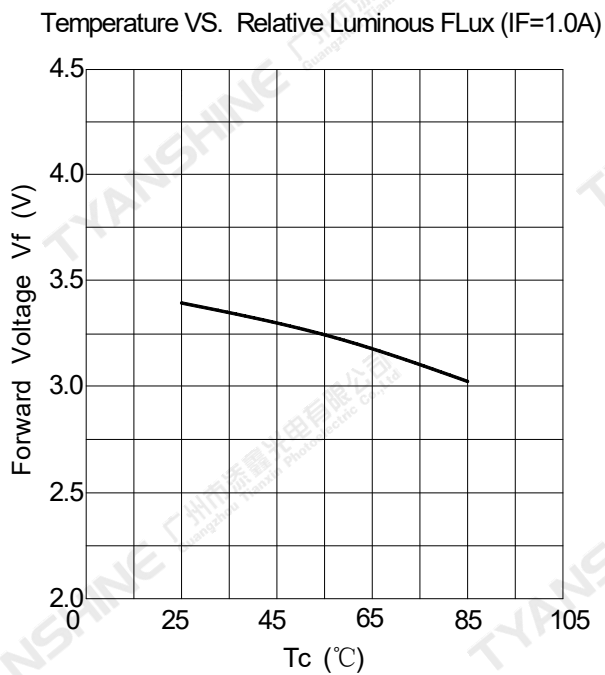
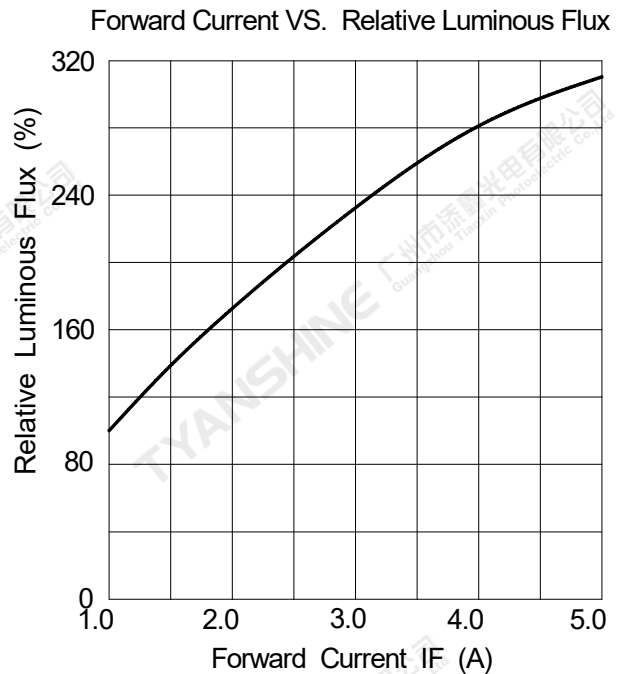
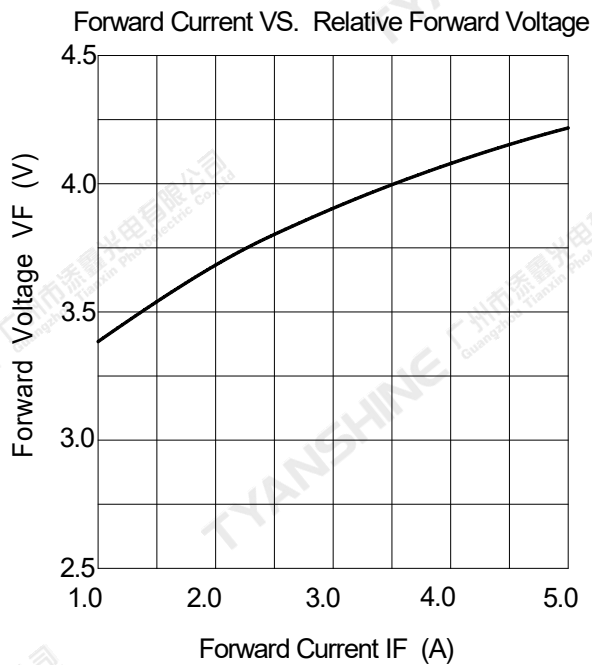
White light Color coordinate filing (IF=1.0A,Tc=25°C)

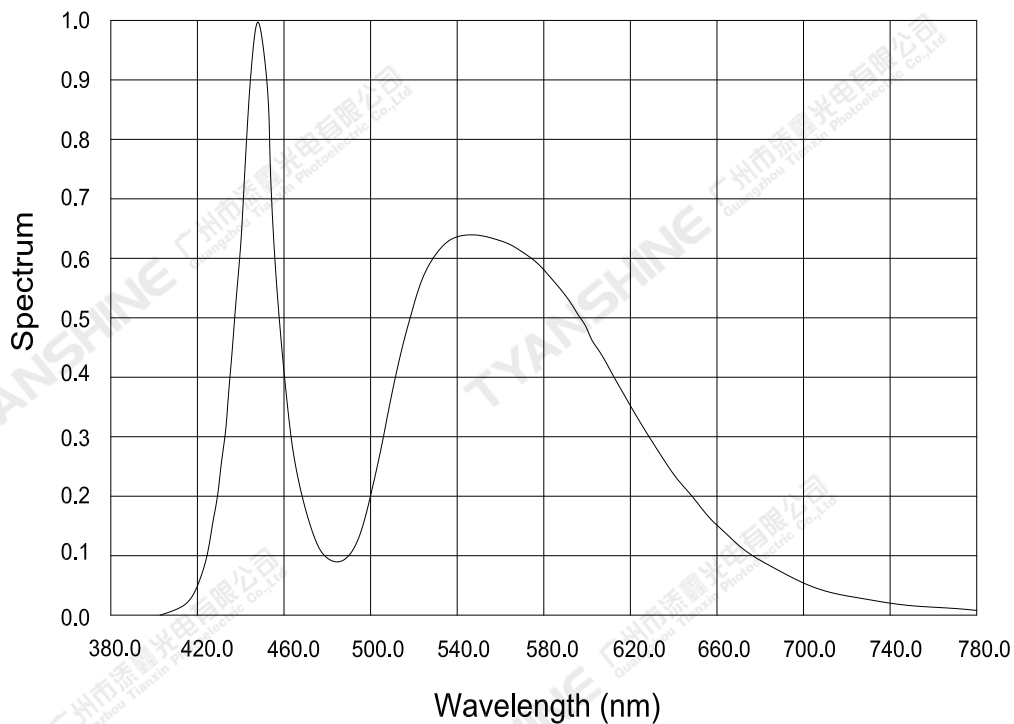
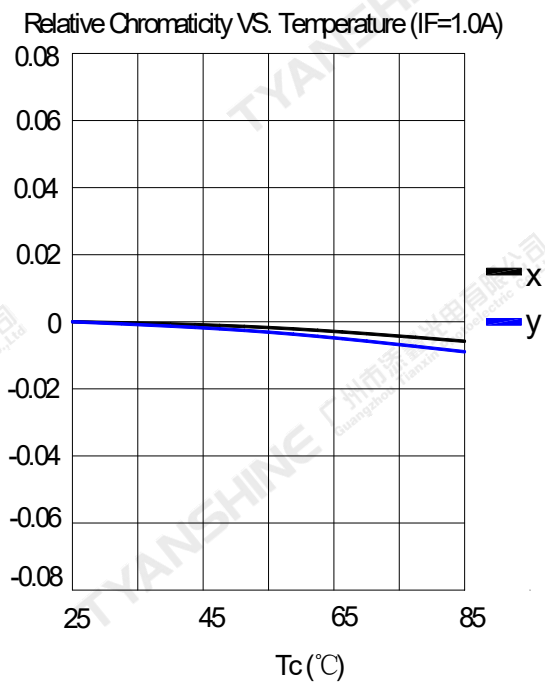
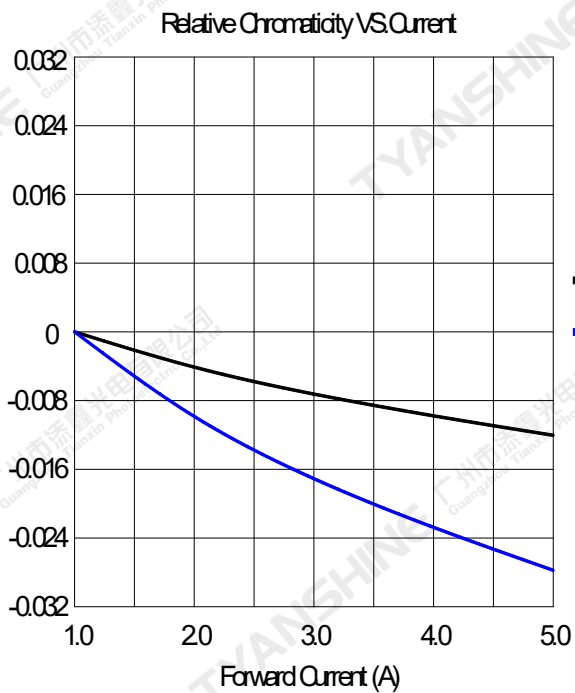


Region	CCT Range		X1	Y1	X2	Y2	X3	Y3	X4	Y4
	Min	Max								
H	5000K	5300K	0.3484	0.3867	0.3482	0.4042	0.3379	0.3880	0.3376	0.3680
G	5300K	5700K	0.3376	0.3659	0.3379	0.3856	0.3270	0.3655	0.3276	0.3475
F	5700K	6100K	0.3277	0.3445	0.3270	0.3642	0.3186	0.3486	0.3200	0.3324

Typical Electrical/Optical Characteristics Curves

(25°C Ambient Temperature Unless Otherwise Noted)





Notes:

1. $2\theta_{1/2}$ is the off axis angle from lamp centerline where the luminous intensity is 1/2 of the peak value.
2. View angle tolerance is $\pm 5^\circ$.

Part No.	TX-5050W20FC100-NUVCNG-B01	Spec No.	WKF-FC0081	Page	7 of 10
----------	----------------------------	----------	------------	------	---------

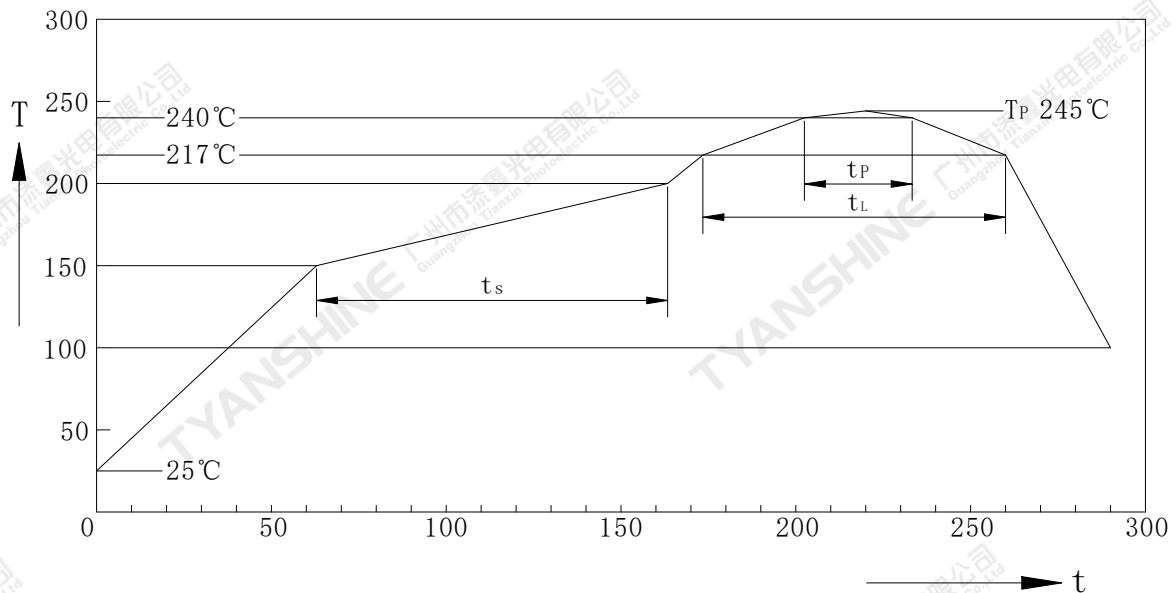
Usage Precautions

Storage Environment Condition

Temperature: 5°C ~ 30°C (41°F ~ 86°F)

Humidity: 60% RH Max.

Soldering Condition



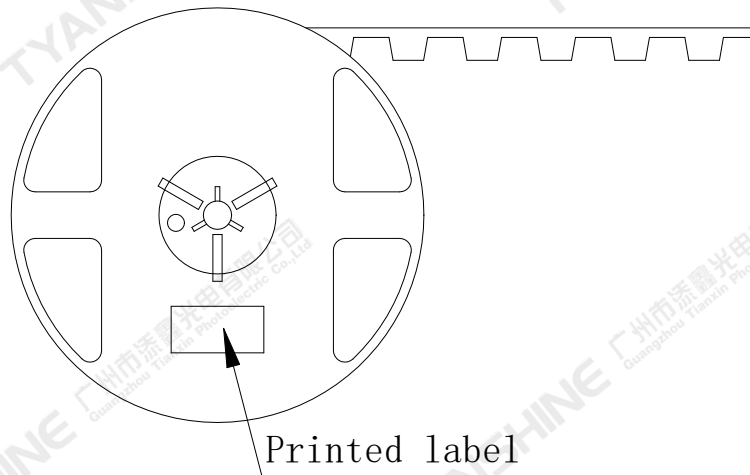
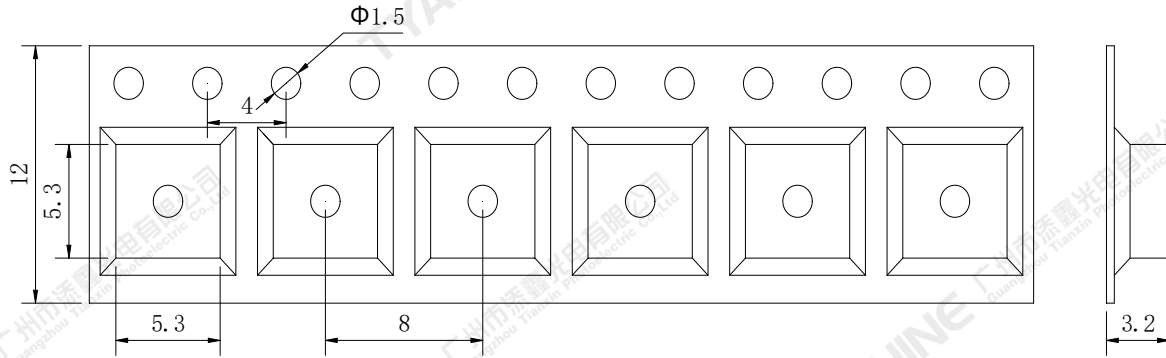
Profil-Charakteristik Profile Feature	Symbol	Pb-Free(SnAgCu)Assembly			Einheit Unit
		Minimum	Recommendation	Maximum	
Ramp-up Rate to Preheat 25°C to 150°C	-	-	2	3	K/s
Time t_s T_{Smin} to T_{Smax}	t_s	60	100	120	s
Ramp-up Rate to Peak T_{Smax} to T_p	-	-	2	3	K/s
Liquidus Temperature	T_L	217			°C
Time above Liquidus temperature	t_L	-	80	100	s
Peak Temperature	T_P	-	245	255	°C
Time within 5°C of the specified peak temperature T_p-5 K	t_p	10	20	30	s
Ramp-down Rate T_p to 100°C	-	-	3	6	K/s
Time 25°C to T_p	-	-	-	480	-

Note:

All temperatures refer to topside of the package, measured on the package body surface.

Dimensions For Cannulation And Packaging

Quantity:1000PCS



Notes:

1. All dimensions are in millimeters.
2. Tolerances are ± 2.0 mm unless otherwise noted.
3. The products are packaged together with silica gel, Transport, not to the weight of welding LED light-emitting area, As a result of the weight of LED light-emitting zone in the quality of, Irresponsible of the Company.

Part No.	TX-5050W20FC100-NUVCNG-B01	Spec No.	WKF-FC0081	Page	9 of 10
----------	----------------------------	----------	------------	------	---------

产品规格书变更履历表

版本	变更内容描述		生效日期
	变更前内容	变更后内容	
1.0	初次发行	-	